



Shenzhen Yitong Testing Technology Co., Ltd.

903, Hongyi building, 227, Fulian Second District, Sanlian community,
Longhua street, Longhua District, Shenzhen

Tel: +86-755-85259392 Fax: +86-755-27219460 <http://www.etrtest.com>

CERTIFICATE OF CONFORMITY

No.: ET-20070316

Applicant : Shenzhen Lemantian Technology Co., LTD

Address : 19F, building C, electronic technology building, no.2070 Shennan Middle Road,
Futian district, Shenzhen, Guangdong, 51800, China

Manufacturer : Shenzhen Lemantian Technology Co., LTD

Address : 19F, building C, electronic technology building, no.2070 Shennan Middle Road,
Futian district, Shenzhen, Guangdong, 51800, China

Product : Pulse Oximeter

Trade Name : /

Model(s) : LMT-01, LMT-02, LMT-03, LMT-04, LMT-05

Test Standards:

EN 55032:2015
EN 55035:2017
EN 61000-3-2:2019
EN 61000-3-3:2013

The EUT described above has been tested by us with the listed standards and found in compliance with the Council EMC Directive 2014/30/EU. It is possible to use CE marking to demonstrate the compliance with the EMC Directive.

The certificate applies to the tested sample above mentioned only and shall not imply an assessment of the whole production. It is only valid in connection with the test report number: ET-20070316





Test Report

Applicant's name: Shenzhen Lemantian Technology Co., LTD
Address: 19F, building C, electronic technology building, no.2070 Shennan Middle Road, Futian district, Shenzhen, Guangdong, 51800, China
Manufacture's Name: Shenzhen Lemantian Technology Co., LTD
Address: 19F, building C, electronic technology building, no.2070 Shennan Middle Road, Futian district, Shenzhen, Guangdong, 51800, China
Product name: Pulse Oximeter
model(s): LMT-01, LMT-02, LMT-03, LMT-04, LMT-05
Trademark: --
Standards: EN 55032:2015
EN 61000-3-2:2019
EN 61000-3-3:2013
EN 55035:2017
Date of receipt: Jul.09,2020
Date of testing: Jul.09,2020- Jul.10,2020
Date of issue: Jul.13,2020

This device described above has been tested by Shenzhen Yitong Testing Technology Co., Ltd. and the test results show that the equipment under test (EUT) is in compliance with the EMC requirements. And it is applicable only to the tested sample identified in the report.

Tested by: 
Carr Kang Jul.10,2020

Reviewed by: 
SmithChen Jul.13,2020

Approved by: 
Brian Yang Jul.13,2020





Report Revision History

Report No.	Report Version	Description	Issue Date
ET-20070316	NONE	Original	Jul.13,2020

Table of Contents

1.1	Description of EUT	5
1.2	Test mode	5
1.3	Test setup	5
1.4	Ancillary equipment	5
2	Summary of Test Result	6
3	Test Facilities and Accreditations	7
3.1	Test laboratory	7
3.2	Environmental conditions	7
3.3	Measurement uncertainty	7
3.4	Test software	7
4	List of test equipment	8
5	Emission test	11
5.1	Conducted emission of AC power ports	11
5.2	Conducted emission of telecom ports	12
5.3	Radiated emission	13
5.4	Harmonic current emission / Voltage fluctuations & flicker	17
6	Immunity test	18
6.1	Performance criteria	18
6.2	Electrostatic discharge (ESD)	19
6.3.1	<i>Test Procedures</i>	19
6.3.2	<i>Test Setup</i>	19
6.3.3	<i>Test Result</i>	19
6.4	Radiated electromagnetic field immunity (RS)	22
6.4.1	<i>Test Procedures</i>	22
6.4.2	<i>Test setup</i>	22
6.4.3	<i>Test Result</i>	22
6.5	Conducted disturbances (CS)	24
6.5.1	<i>Test Procedures</i>	24
6.5.2	<i>Test Setup</i>	24
6.5.3	<i>Test Result</i>	24
6.6	Power frequency magnetic field	25
6.6.1	<i>Test Procedures</i>	25
6.6.2	<i>Test Setup</i>	25
6.6.3	<i>Test Result</i>	25
6.7	Electrical fast transients/burst (EFT/S)	26
6.7.1	<i>Test Procedures</i>	26
6.7.2	<i>Test Setup</i>	26
6.7.3	<i>Test Result</i>	26
6.8	Surges	27
6.8.1	<i>Test Procedures</i>	27
6.8.2	<i>Test Setup</i>	27
6.8.3	<i>Test Result</i>	27
6.9	Voltage dips and interruptions	28
6.9.1	<i>Test procedures</i>	28
6.9.2	<i>Test setup</i>	28
6.9.3	<i>Test result</i>	28
6.10	Broadband Impulse noise disturbances repetitive	29
6.10.1	<i>Test procedures</i>	29
6.10.2	<i>Test setup</i>	29
6.10.3	<i>Test result</i>	29
6.11	Broadband Impulse noise disturbances isolated	30



6.11.1	Test procedures	30
6.11.2	Test setup	30
6.11.3	Test result	30
	Photographs of the Test setup	31
	Photographs of the EUT	33

General Description

1.1 Description of EUT

Product name:	PULSE OXIMETER
Model name:	LMT-01
Series Model:	LMT-02, LMT-03, LMT-04, LMT-05
Different of series model:	Different shape
Power supply:	DC 3V
Power supply of test:	DC 3V
Battery:	DC 3V
Adapter information:	N/A

1.2 Test mode

To investigate the maximum EMI emission characteristics generates from EUT, the test system was pre-scanning tested base on the consideration of following EUT operation mode or test configuration mode which possible have effect on EMI emission level. Each of these EUT operation mode(s) or test configuration mode(s) mentioned above was evaluated respectively.

Test mode	Description
Mode 1	Normal working
Note: The test modes were carried out for all operation modes. The final test mode of the EUT was the worst test mode for EMI, and its test data is showed.	

1.3 Test setup

See photographs of the test setup in the report for the actual setup and connections between EUT and support equipment.

1.4 Ancillary equipment

Equipment	Model	S/N	Manufacturer
/	/	/	/

2 Summary of Test Result

No.	Test Standard	Description of Test	Result	Remark
Emission				
1	EN 55032:2015	Conducted emission of AC power ports	N/A	
2		Conducted emission of telecom ports	N/A	
3		Radiated emission	Pass	
4	EN 61000-3-2:2019	Harmonic current emission	N/A	
5	EN 61000-3-3:2013	Voltage fluctuations & flicker	N/A	
Immunity				
1	EN 55035:2017	Electrostatic discharges (ESD)	Pass	
2		Radiated electromagnetic field disturbances (RS)	Pass	
3		Conducted disturbances (CS)	N/A	
4		Power frequency magnetic field	N/A	
5		Electrical fast transients/burst (EFT/S)	N/A	
6		Surges	N/A	
7		Voltage dips and interruptions	N/A	
8		Broadband Impulse noise disturbances repetitive	N/A	
9		Broadband Impulse noise disturbances isolated	N/A	
N/A: Mean not applicable.				

3 Test Facilities and Accreditations

3.1 Test laboratory

Test Site	Shenzhen Yitong Testing Technology Co., Ltd.
Test Site Location	903, Hongyi building, 227, Fulian Second District, Sanlian community, Longhua street, Longhua District, Shenzhen
Telephone:	+86 755 85259392
Fax:	+86 755 27219460
CNAS Registration No.:	CNAS

3.2 Environmental conditions

During the measurement the environmental conditions were within the listed ranges:

EUT:	15°C~35°C
Humidity	20%~75% (30%~60% for ESD)
Atmospheric pressure	98kPa~101kPa

3.3 Measurement uncertainty

Measurement Uncertainty for a Level of Confidence of 95 %, $U=2xUc(y)$

Conducted emission(150kHz~30MHz)	± 2.5 dB
Radiated emission(30MHz~1GHz)	± 4.2 dB
Radiated emission (above 1GHz)	± 4.3 dB
Temperature	±1 degree
Humidity	± 5 %

3.4 Test software

Software name	Manufacturer	Model	Version
EMI Measurement Software	Farad	EZ-EMC	V1.1.4.2
Conducted immunity test system	Scholder	EN61000-4-6.exe	V1.3.0
Harmonics and flicker test system	TTI	HA-PC Link	V2.02
DIPS Test Firmware	Prima	DRP61011AG	V4.1.2
EFT Test Firmware	HTEC	HCOMPACT	V1.0.1
Surge Test Firmware	HTEC+	HCOMPACT	V1.0.1

4 List of test equipment

Radiation emission							
Item	Equipment name	Equipment No.	Manufacturer	Model	Serial No.	Calibration date	Due date
1	EMI Test Receiver	MTI-E004	Rohde&schwarz	ESPI	1000314	2019/8/09	2020/8/08
2	Broadband antenna	MTI-E006	schwarabeck	VULB9163	872	2019/8/09	2020/8/08
3	Horn antenna	MTI-E007	schwarabeck	BBHA9120 D	1201	2019/8/09	2020/8/08
4	amplifier	MTI-E014	America	8447D	3113A06150	2019/8/09	2020/8/08
5	amplifier	MTI-E034	Agilent	8449B	3008A02400	2019/8/09	2020/8/08
6	18-40GHz amplifier	MTI-E052	Chengdu step Micro Technology	ZLNA-18-40 G-21	1608001	2019/8/09	2020/8/08
7	spectrum analyzer	MTI-E049	Rohde&schwarz	FSP-38	100019	2019/8/09	2020/8/08
8	15-40G Antenna	MTI-E053	Schwarzbeck	BBHA9170	BBHA917058 2	2019/8/09	2020/8/08
9	Active Loop Antenna 9kHz - 30MHz	MTI-E051	Schwarzbeck	FMZB 1519 B	00044	2019/8/09	2020/8/08

Conduction emission							
Item	Equipment name	Equipment No.	Manufacturer	Model	Serial No.	Calibration date	Due date
1	Artificial power network	MTI-E037	Schwarzbeck	NSLK8127	NSLK8127#841	2019/8/09	2020/8/08
2	EMI Test Receiver	MTI-E003	Rohde&schwarz	ESCI	101368	2019/8/09	2020/8/08
3	Artificial power network	MTI-E058	Schwarzbeck	NSLK8127	NSLK8127#841	2019/8/09	2020/8/08

Conduction immunity							
Item	Equipment name	Equipment No.	Manufacturer	Model	Serial No.	Calibration date	Due date
1	Conduction Immunity Signal Generator	MTI-E015	Schloder	CDG6000	126A1343/2015	2019/8/09	2020/8/08
2	Coupled decoupling network	MTI-E016	Schloder	M2/M3-16A	A2210332/2015	2019/8/09	2020/8/08



Voltage dips, short interruptions and voltage variations immunity							
Item	Equipment name	Equipment No.	Manufacturer	Model	Serial No.	Calibration date	Due date
1	Drop generator	MTI-E025	Prima/China	DRP61011AG	PR15056303	2019/8/09	2020/8/08

Working frequency magnetic field immunity							
Item	Equipment name	Equipment No.	Manufacturer	Model	Serial No.	Calibration date	Due date
1	power frequency magnetic field generator	MTI-E011	china HTEC	HPFMF 100	153703	2019/8/09	2020/8/08

Electrostatic discharge immunity							
Item	Equipment name	Equipment No.	Manufacturer	Model	Serial No.	Calibration date	Due date
1	ESD Simulator	MTI-E008	Schloder	SESD 30000	509325	2019/8/09	2020/8/08

Surge immunity							
Item	Equipment name	Equipment No.	Manufacturer	Model	Serial No.	Calibration date	Due date
1	Surge Generator	MTI-E010	china HTEC	HCWG 51	153702	2019/8/09	2020/8/08

Harmonic & flicker emissions							
Item	Equipment name	Equipment No.	Manufacturer	Model	Serial No.	Calibration date	Due date
1	AC power source	MTI-E023	shenzhen tongyuan	TY-8205	20150916809	2019/8/09	2020/8/08
2	Harmonic scintillation Analyzer	MTI-E013	Laplace	AC2000A	311216	2019/8/09	2020/8/08

Electrical Fast Transient/Burst immunity							
Item	Equipment name	Equipment No.	Manufacturer	Model	Serial No.	Calibration date	Due date
1	Electrical Fast Transient Generator	MTI-E009	HTEC	HEFT 51	153701	2019/10/09	2020/10/08



Radiated electromagnetic field immunity					
Equipment	Manufacturer	Model	Serial No.	Calibration Due	Equipment
Thermometer clock humidity monitor	-	HTC-1	/	2019/5/6	2021/5/5
EPM Series Power Meter	Agilent	E4419B	MY50000438	2019/4/16	2021/4/15
E-Series AVG Power Sensor	Agilent	E9304A H18	GB41290699	2019/4/16	2021/4/15
E-Series AVG Power Sensor	Agilent	E9304A H18	US39212422	2019/4/16	2021/4/15
Power Amplifier	micotop	MPA-80-1000-250	MPA1903081	2019/4/16	2021/4/15
Power Amplifier	micotop	MPA-1000-6000-75	MPA1903082	2019/4/16	2021/4/15
MXG RF Signal Generator	Agilent	N5181A	MY50144755	2019/4/16	2021/4/15
stacked Log. Per. Broadband Antenna	Schwarzbeck	STLP 9129	9129 113	2019/2/14	2021/2/13
Three-phase frequency conversion power supply	shenzhen tongyuan	TY-8330	2017101302651	2019/4/16	2021/4/15
DC power source	shenzhen tongyuan	TY-500V 100A	201710190325689	2019/4/16	2021/4/15

Note: the calibration interval of the above test instruments is 12 or 24 months and the calibrations are traceable to international system unit (SI).

5 Emission test

5.1 Conducted emission of AC power ports

5.1.1 Limits

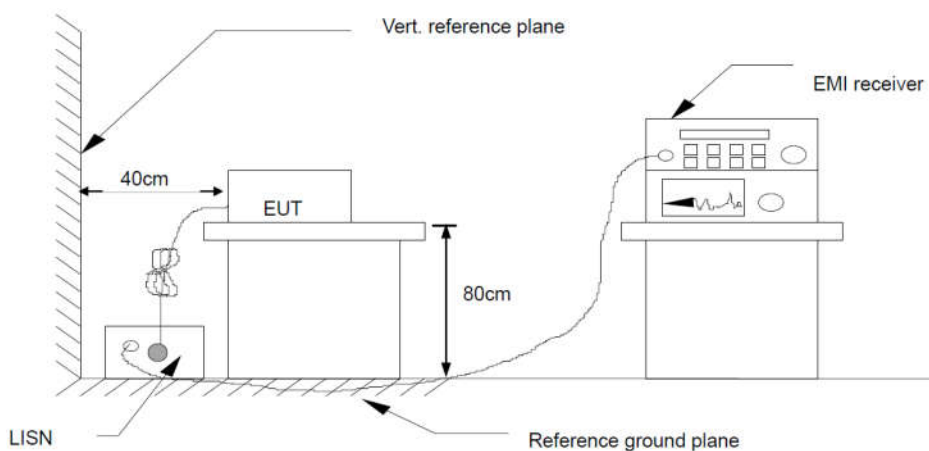
Frequency (MHz)	Class A (dB μ V)		Class B (dB μ V)	
	Quasi-peak	Average	Quasi-peak	Average
0.15 -0.5	79	66	66 - 56 *	56 - 46 *
0.5 -5	73	60	56	46
5 -30	73	60	60	50

Note 1: the tighter limit applies at the band edges.
 Note 2: the limit of " * " marked band means the limitation decreases linearly with the logarithm of the frequency in the range.

5.1.2 Test Procedures

- The EUT was placed 0.8 meters from the horizontal ground plane with EUT being connected to the power mains through a line impedance stabilization network (LISN). All other support equipment powered from additional LISN(s). The LISN provide 50 Ohm/ 50uH of coupling impedance for the measuring instrument.
- Interconnecting cables that hang closer than 40 cm to the ground plane shall be folded back and forth in the center forming a bundle 30 to 40 cm long.
- I/O cables that are not connected to a peripheral shall be bundled in the center. The end of the cable may be terminated, if required, using the correct terminating impedance. The overall length shall not exceed 1 m.
- LISN is at least 80 cm from nearest part of EUT chassis.
- For the actual test configuration, please refer to the related Item – photographs of the test setup.

5.1.3 Test setup



5.1.4 Test Result

N/A

5.2 Conducted emission of telecom ports

5.2.1 Limits

Frequency (MHz)	Class A (dB μ V)		Class B (dB μ V)	
	Quasi-peak	Average	Quasi-peak	Average
0.15 -0.5	97-87*	84-74*	84-74 *	74 - 64 *
0.5 -30	87	74	74	64

Note 1: the tighter limit applies at the band edges.

Note 2: the limit of " * " marked band means the limitation decreases linearly with the logarithm of the frequency in the range.

5.2.2 Test Procedures

The EUT was put on a wooden table which was 0.8 m high above the ground and connected to the PC through the Artificial Mains Network (ISN). Where the signal cable supplied by the manufacture was longer than 1 m, the excess was folded back and forth parallel to the cable at the center so as to form a bundle no longer than 0.4 m.

5.2.3 Test setup

Refer EN55032 annex A.3.

5.2.4 Test Result

N/A

5.3 Radiated emission

5.3.1 Limits

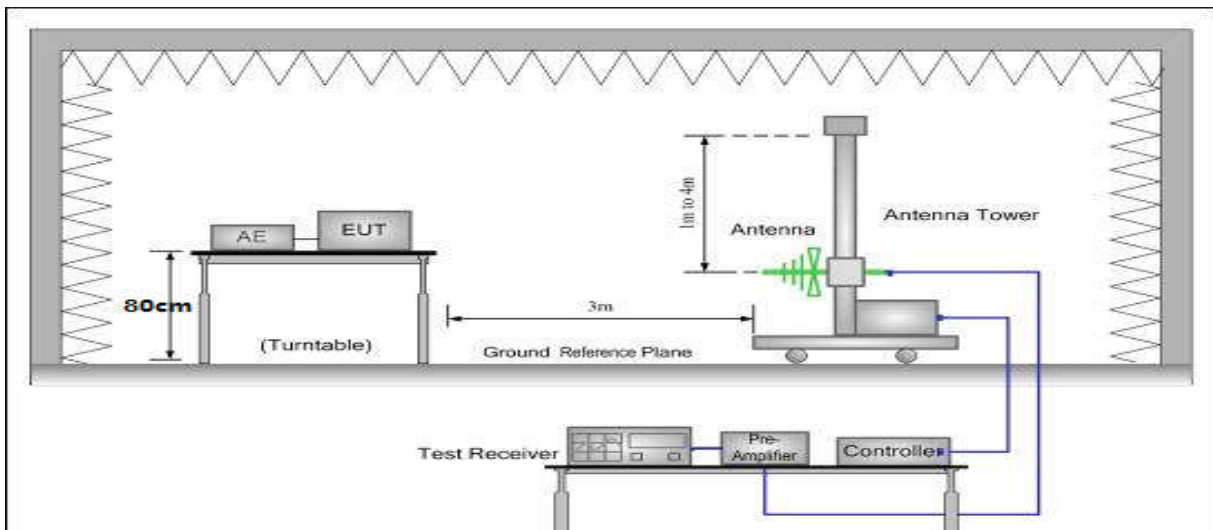
Frequency (MHz)	Class A (at 3m) dB μ V/m		Class B (at 3m) dB μ V/m	
	Quasi-peak		Quasi-peak	
30-230	50		40	
230-1000	57		47	
/	Peak	Average	Peak	Average
1000-3000	76	56	70	50
3000-6000	80	60	74	54

5.3.2 Test Procedures

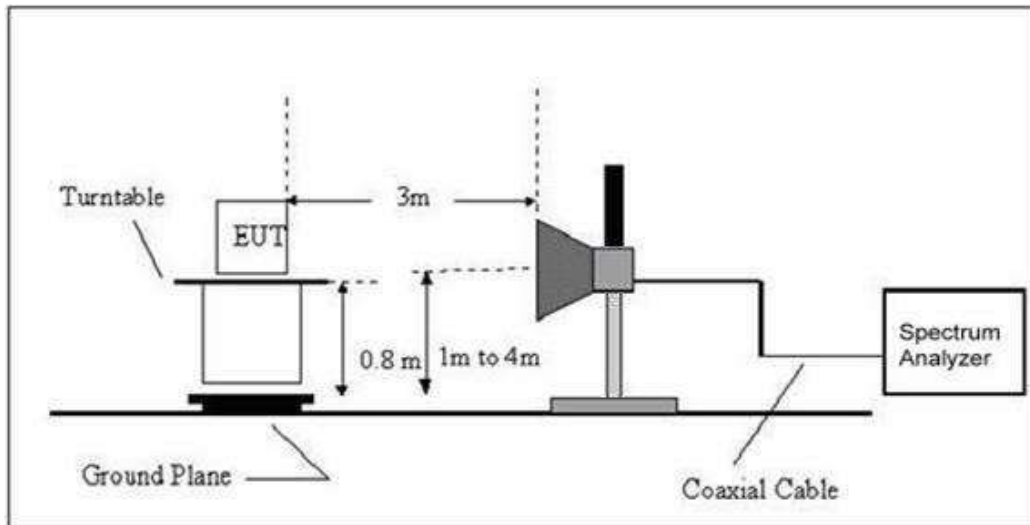
- The radiated emission tests were performed in the 3 meters.
- The EUT was placed on the top of a rotating table 0.8 meters above the ground. The table was rotated 360 degrees to determine the position of the highest radiation.
- The height of the test antenna shall vary between 1m to 4m. Both horizontal and vertical polarizations of the antenna are set to make the measurement.
- If the peak mode measured value compliance with and lower than quasi peak mode limit, the EUT shall be deemed to meet QP limits and then no additional QP mode measurement performed.
- If the peak mode measured value compliance with and lower than average mode limit, the EUT shall be deemed to meet average limits and then no additional average mode measurement performed.
- For the actual test configuration, please refer to the related item – EUT test photos.

5.3.3 Test Setup

Radiated emission test-up frequency for 30MHz - 1GHz



Radiated emission test-up frequency for above 1GHz



5.3.4 Test Result

Note: the highest working frequency of EUT is less than 108MHz.

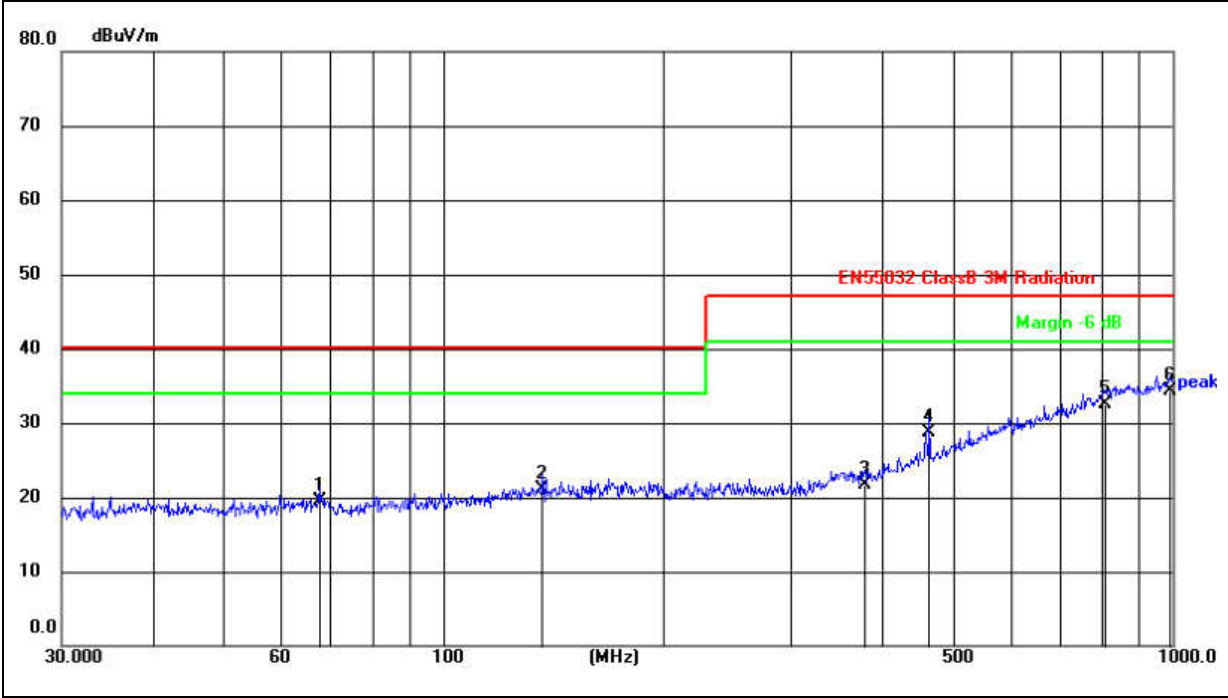
Formula:

Measurement Level (dBuV/m) = Reading Level (dBuV/m) + Correct Factor (dBuV/m)

Margin Level (dBuV/m) = Measurement Level (dBuV/m) – Limit Level (dBuV/m)

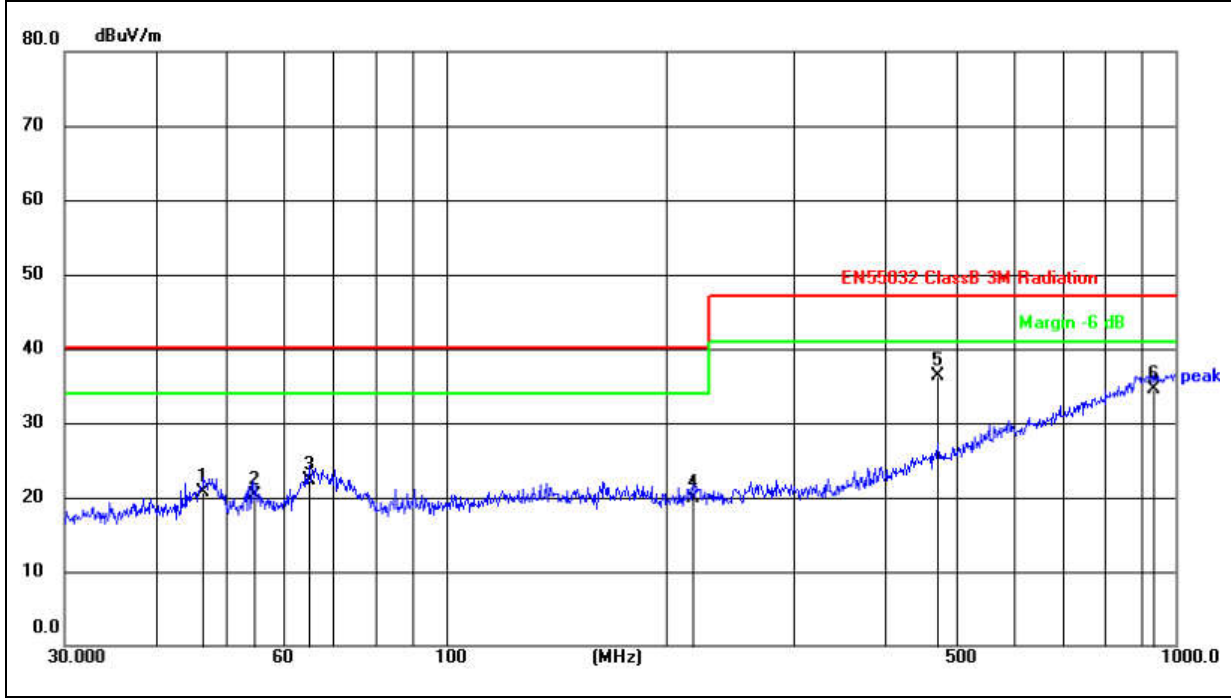
Below 1GHz

EUT:	PULSE OXIMETER	Model Name:	HRX-PO-01
Pressure:	101kPa	Phase:	Horizontal
Test voltage:	DC 3V	Test mode:	Mode 1



No.	Frequency (MHz)	Reading (dBuV)	Factor (dB/m)	Level (dBuV/m)	Limit (dBuV/m)	Margin (dB)	Detector
1	67.6751	40.10	-20.66	19.44	40.00	-20.56	QP
2	136.9391	39.98	-18.81	21.17	40.00	-18.83	QP
3	378.5842	38.69	-16.92	21.77	47.00	-25.23	QP
4	463.9696	43.25	-14.49	28.76	47.00	-18.24	QP
5	804.6028	39.88	-7.39	32.49	47.00	-14.51	QP
6	993.0113	39.90	-5.52	34.38	47.00	-12.62	QP

EUT:	PULSE OXIMETER	Model Name:	HRX-PO-01
Pressure:	101kPa	Phase:	Vertical
Test voltage:	DC 3V	Test mode:	Mode 1



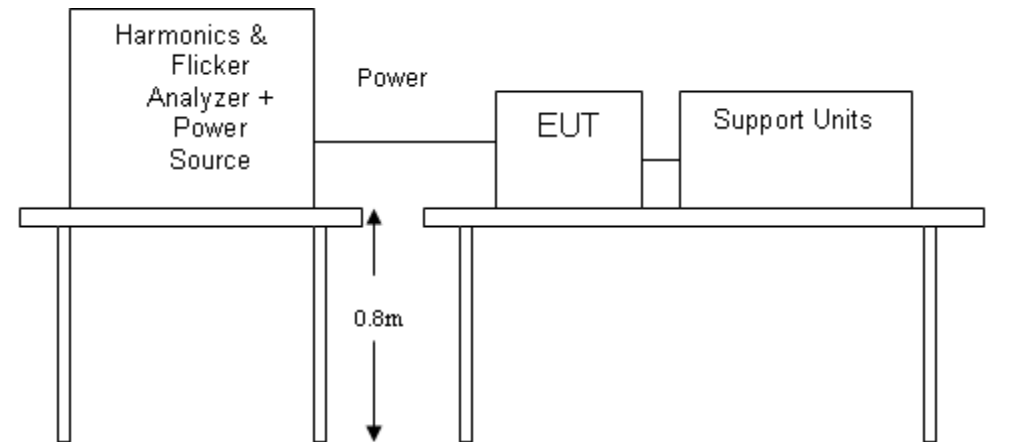
No.	Frequency (MHz)	Reading (dBuV)	Factor (dB/m)	Level (dBuV/m)	Limit (dBuV/m)	Margin (dB)	Detector
1	46.5030	41.72	-20.97	20.75	40.00	-19.25	QP
2	54.4516	41.22	-20.89	20.33	40.00	-19.67	QP
3	64.8865	43.03	-20.64	22.39	40.00	-17.61	QP
4	218.3084	38.21	-18.23	19.98	40.00	-20.02	QP
5	472.1760	50.73	-14.35	36.38	47.00	-10.62	QP
6	932.2713	39.77	-5.31	34.46	47.00	-12.54	QP

5.4 Harmonic current emission / Voltage fluctuations & flicker

5.4.1 Test Procedures

- a) The EUT was installed and placed on a non-conductive table and operated to produce the maximum harmonic components under normal operating conditions for each successive harmonic component in turn.
- b) The correspondent test program of test instrument to measure the current harmonics / voltage fluctuations & flicker emanated from EUT. The measure time shall be not less than the time necessary for the EUT to be exercised.

5.4.2 Test Setup



5.4.3 Test Result

The power in put is less than 75W, so it is not applicable.

Voltage fluctuations & flicker:

EUT:	PULSE OXIMETER	Model Name:	HRX-PO-01
Pressure:	101kPa	Test mode:	Mode 1

	Pst	dc (%)	dmax (%)	d(t) > 3.3% (ms)
Limit	1.000	3.300	4.000	500
Reading	/	/	/	/

Test Result: N/A

6 Immunity test

6.1 Performance criteria

Performance criteria	
Performance criterion	Description
A	<p>During and after the test the EUT shall continue to operate as intended without operator intervention. No degradation of performance or loss of function is allowed below a minimum performance level specified by the manufacturer when the EUT is used as intended. The performance level may be replaced by a permissible loss of performance. If the minimum performance level or the permissible performance loss is not specified by the manufacturer, then either of these may be derived from the product description and documentation, and by what the user may reasonably expect from the EUT if used as intended.</p>
B	<p>After the test, the EUT shall continue to operate as intended without operator intervention. No degradation of performance or loss of function is allowed, after the application of the phenomena below a performance level specified by the manufacturer, when the EUT is used as intended. The performance level may be replaced by a permissible loss of performance.</p> <p>During the test, degradation of performance is allowed. However, no change of operating state or stored data is allowed to persist after the test.</p> <p>If the minimum performance level (or the permissible performance loss) is not specified by the manufacturer, then either of these may be derived from the product description and documentation, and by what the user may reasonably expect from the EUT if used as intended.</p>
C	<p>During and after testing, a temporary loss of function is allowed, provided the function is self-recoverable, or can be restored by the operation of the controls or cycling of the power to the EUT by the user in accordance with the manufacturer's instructions.</p> <p>Functions, and/or information stored in non-volatile memory, or protected by a battery backup, shall not be lost.</p>
<p>Particular performance criteria:</p> <p>The particular performance criteria which are specified in the normative annexes take precedence over the corresponding parts of the general performance criteria. Where particular performance criteria for specific functions are not given, then the general performance criteria shall apply.</p>	

6.2 Electrostatic discharge (ESD)

6.3.1 Test Procedures

- a) The test generator necessary to perform direct and indirect application of discharges to the EUT in the following manner:

Contact discharge was applied to conductive surfaces and coupling planes of the EUT. During the test, it was performed with single discharges. For the single discharge time between successive single discharges was at least 1 second.

- b) Vertical Coupling Plane (VCP):

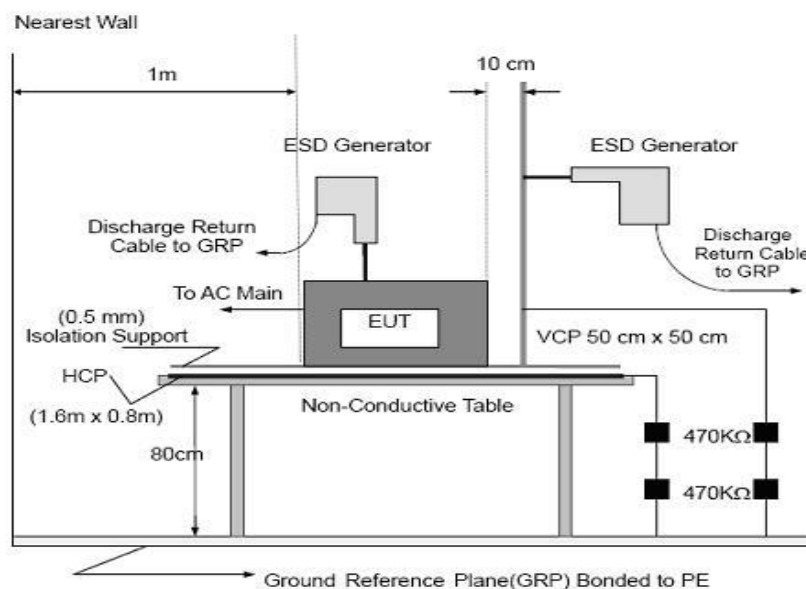
The coupling plane, of dimensions 0.5m x 0.5m, is placed parallel to, and positioned at a distance 0.1m from, the EUT, with the Discharge Electrode touching the coupling plane. The four faces of the EUT will be performed with electrostatic discharge.

- c) Horizontal Coupling Plane (HCP):

The coupling plane is placed under to the EUT. The generator shall be positioned vertically at a distance of 0.1m from the EUT, with the Discharge Electrode touching the coupling plane. The four faces of the EUT will be performed with electrostatic discharge.

Air discharges at insulation surfaces of the EUT. It was at least ten single discharges with positive and negative at the same selected point. For the actual test configuration, please refer to the related Item –EUT Test Photos.

6.3.2 Test Setup



6.3.3 Test Result

Indirect discharge

EUT:	PULSE OXIMETER	Model Name:	HRX-PO-01
Pressure:	101kPa	Test mode:	Mode 1

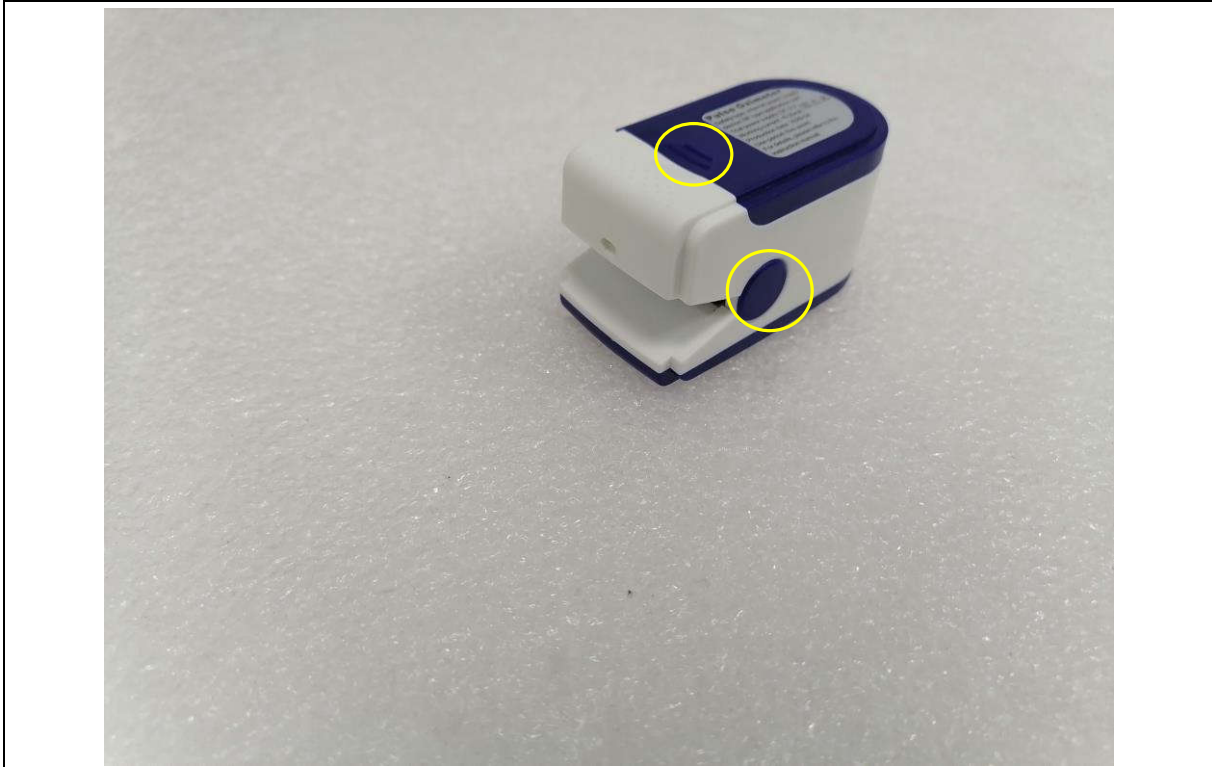
No.	Test Point	Contact discharge level (kV)	Number and polarity	Criterion met	Criterion Required	Result
1	VCP-Front side	<input type="checkbox"/> ..2 <input checked="" type="checkbox"/> ..4 <input type="checkbox"/> ..6 <input type="checkbox"/> ..8	10 (+)	A	B	Compliance
			10 (-)	A		
2	VCP-Rear side	<input type="checkbox"/> ..2 <input checked="" type="checkbox"/> ..4 <input type="checkbox"/> ..6 <input type="checkbox"/> ..8	10 (+)	A		
			10 (-)	A		
3	VCP-Left side	<input type="checkbox"/> ..2 <input checked="" type="checkbox"/> ..4 <input type="checkbox"/> ..6 <input type="checkbox"/> ..8	10 (+)	A		
			10 (-)	A		
4	VCP-Right side	<input type="checkbox"/> ..2 <input checked="" type="checkbox"/> ..4 <input type="checkbox"/> ..6 <input type="checkbox"/> ..8	10 (+)	A		
			10 (-)	A		
5	HCP	<input type="checkbox"/> ..2 <input checked="" type="checkbox"/> ..4 <input type="checkbox"/> ..6 <input type="checkbox"/> ..8	10 (+)	A		
			10 (-)	A		

Direct discharge

No.	Test Point	Contact discharge level (kV)	Air discharge level (kV)	Number and polarity	Criterion met	Criterion Required	Result
1	Each nonconductive location touchable by hand	<input type="checkbox"/> ..2 <input type="checkbox"/> ..4 <input type="checkbox"/> ..6 <input type="checkbox"/> ..8	<input type="checkbox"/> ..2 <input type="checkbox"/> ..4 <input type="checkbox"/> ..6 <input checked="" type="checkbox"/> ..8	10 (+)	A	B	Compliance
				10 (-)	A		
2	Each conductive location touchable by hand	<input type="checkbox"/> ..2 <input checked="" type="checkbox"/> ..4 <input type="checkbox"/> ..6 <input type="checkbox"/> ..8	<input type="checkbox"/> ..2 <input type="checkbox"/> ..4 <input type="checkbox"/> ..6 <input type="checkbox"/> ..8	10 (+)	A		
				10 (-)	A		

Note1: Please see the photographs blew about the details of test points.

Test location:



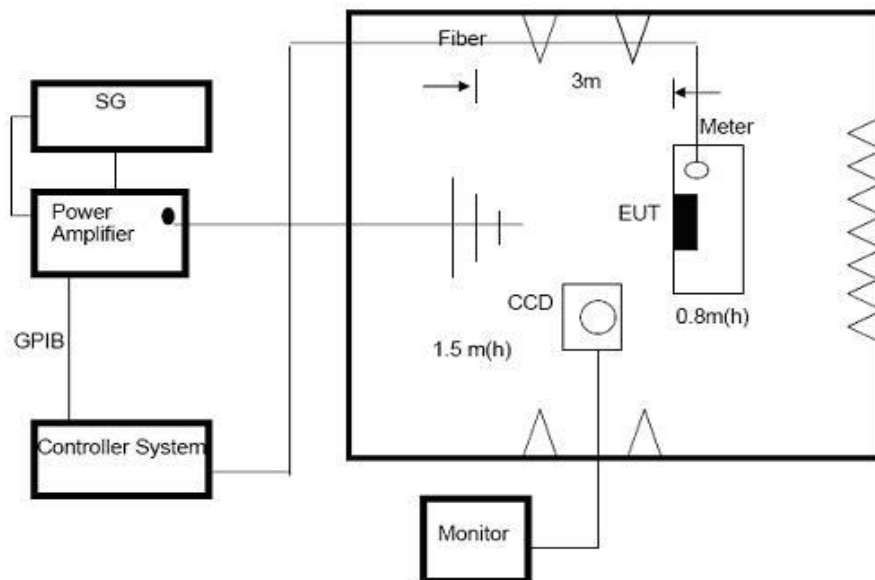
Note: Yellow circle for Air Discharge; Red circle for Contact Discharge.

6.4 Radiated electromagnetic field immunity (RS)

6.4.1 Test Procedures

- a) The EUT and support equipment, which are placed on a table that is 0.8 meter above ground and the testing was performed in a fully-anechoic chamber.
- b) The testing distance from antenna to the EUT was 3 meters.
- c) The other condition as following manner:
 - i. The field strength level was 3V/m.
 - ii. The frequency range is swept from 80 MHz to 1000 MHz with the signal 80% amplitude modulated with a 1kHz sine wave. The rate of sweep did not exceed 1.5×10^{-3} decade/s. Where the frequency range is swept incrementally, the step size was 1% of fundamental.
- d) The dwell time at each frequency shall be not less than the time necessary for the EUT to be able to respond.
- e) The test was performed with the EUT exposed to both vertically and horizontally polarized fields on each of the four sides.
- f) For the actual test configuration, please refer to the related Item –EUT Test Photos.

6.4.2 Test setup



6.4.3 Test Result



EUT:	PULSE OXIMETER	Model Name:	HRX-PO-01
Pressure:	101kPa	Test mode:	Mode 1

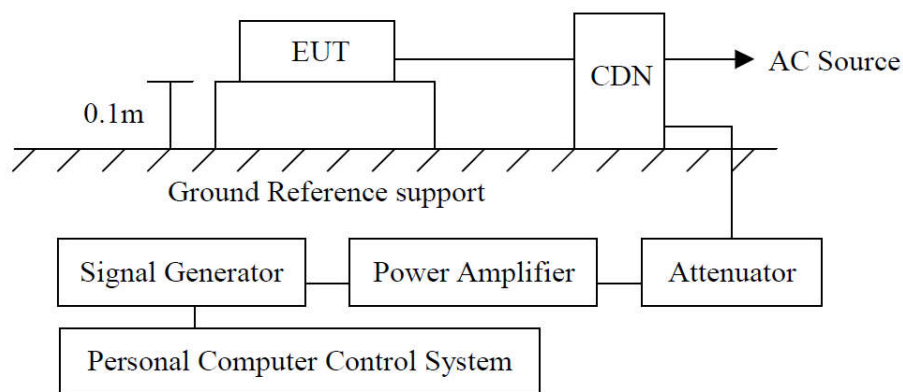
Frequency Range (MHz)	RF Field Position	R.F. Field Strength	Azimuth	Perform. Criteria	Measurement	Result
80-100080-1000 1800 2600 3500 5000	H / V	3 V/m (rms) AM Modulated 1000Hz, 80%	Front	A	A	Compliance
			Rear			
			Left			
			Right			

6.5 Conducted disturbances (CS)

6.5.1 Test Procedures

- a) The EUT are placed on an insulating support 0.1m high above a ground reference plane. CDN (coupling and decoupling device) is placed on the ground plane about 0.3m from EUT. Cables between CDN and EUT are as short as possible, and their height above the ground reference plane shall be between 30 and 50 mm (where possible).
- b) The disturbance signal described below is injected to EUT through CDN.
- c) The EUT operates within its operational mode(s) under intended climatic conditions after power on.
- d) The frequency range is swept from 0.150MHz to 80MHz using 3V signal level, and with the disturbance signal 80% amplitude modulated with a 1 kHz sine wave.
- e) The rate of sweep shall not exceed 1.5×10^{-3} decades/s. Where the frequency is swept incrementally; the step size shall not exceed 1% of the start and thereafter 1% of the preceding frequency value.
- f) Recording the EUT operating situation during compliance testing and decide the EUT immunity criterion.

6.5.2 Test Setup



6.5.3 Test Result

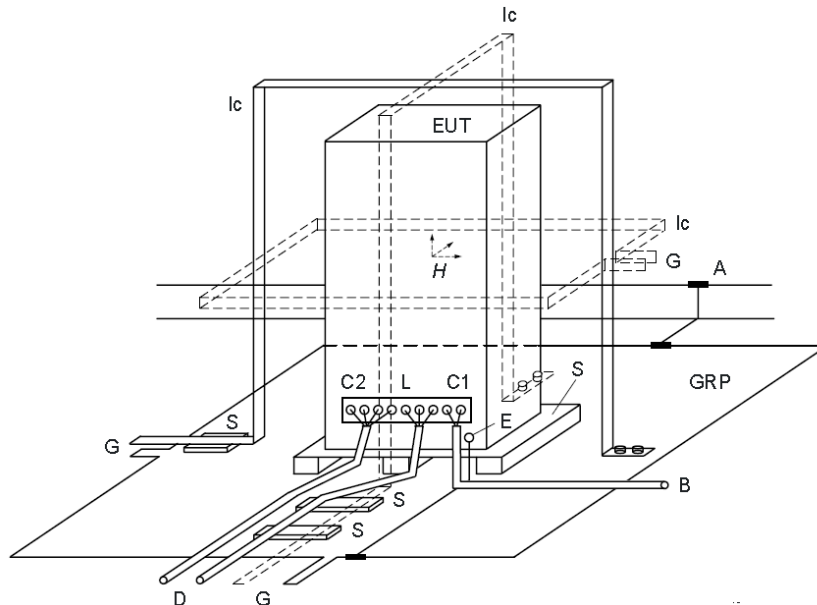
N/A

6.6 Power frequency magnetic field

6.6.1 Test Procedures

- a) EUT connect the wires according to the typical configuration, and switch on the power supply for 15 minutes.
- b) Turn on the instrument power switch and wait for the instrument to start.
- c) When the device is started, click the Setup icon to enter the settings screen
- d) As shown below, for the settings screen, click the test time position and current position to set the test time and current
- e) Set the correct test time and test current
- f) Click Start to begin the test, while observing the status of EUT and recording

6.6.2 Test Setup



Components:

GRP	Ground plane	A	Safety earth
C1	Power supply circuit	C2	Signal circuit
S	Insulating support	L	Communication line
EUT	Equipment under test	B	To power supply source
Ic	Inductive coil	D	To signal source, simulator
E	Earth terminal	G	To the test generator

6.6.3 Test Result

N/A: Not applicable

6.7 Electrical fast transients/burst (EFT/S)

6.7.1 Test Procedures

a) The EUT and its simulators were placed on the ground reference plane and were insulated from it by a wood support 0.1m + 0.01m thick. The ground reference plane was 1m*1m metallic sheet with 0.65mm minimum thickness. This reference ground plane was project beyond the EUT by at least 0.1m on all sides and the minimum distance between EUT and all other conductive structure, except the ground plane was more than 0.5m. All cables to the EUT was placed on the wood support, cables not subject to EFT/B was routed as far as possible from the cable under test to minimize the coupling between the cables.

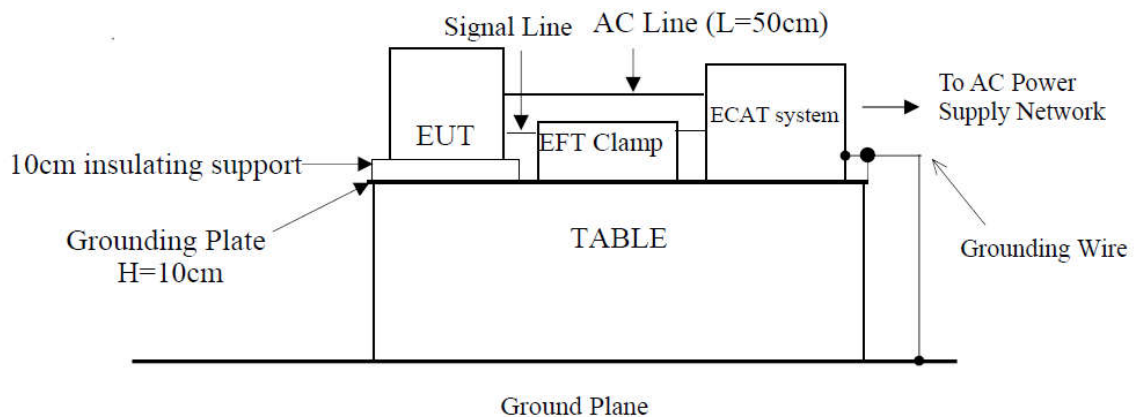
b) For input and AC power ports:

The EUT was connected to the power mains by using a coupling device that couples the EFT interference signal to AC power lines. Both positive transients and negative transients of test voltage were applied during compliance test and the duration of the test can't less than 1min.

c) For signal lines and control lines ports:

Ports which are intended to be connected to telecommunication networks (e.g. public switched telecommunication networks, integrated services digital networks, local area networks and similar networks.)

6.7.2 Test Setup



6.7.3 Test Result

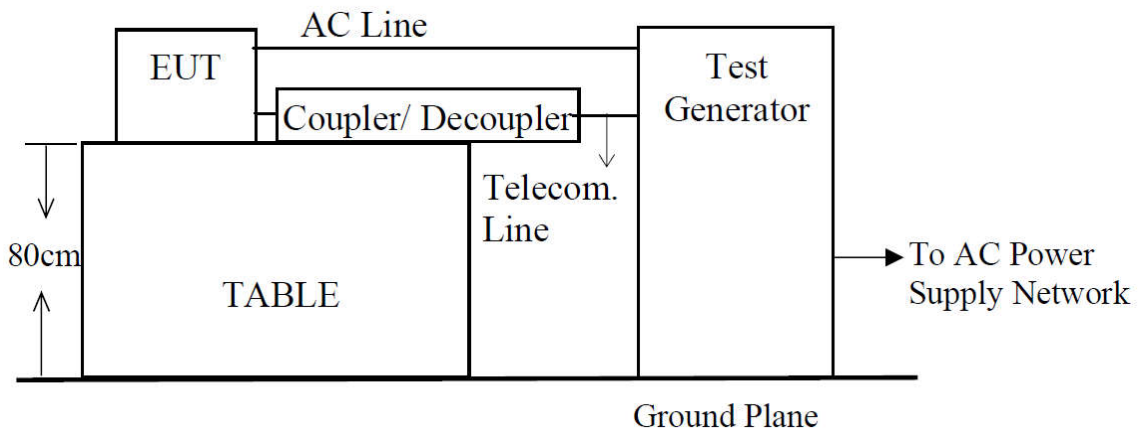
N/A

6.8 Surges

6.8.1 Test Procedures

- a) For line-to-line coupling mode, provide a 1kV 1.2/50us voltage surge (at open-circuit condition) and 8/20us current surge to EUT selected points, and for active line / neutral lines to ground are same except test level is 2kV.
- b) At least 5 positive and 5 negative (polarity) tests with a maximum 1/min repetition rate are applied during test.
- c) Different phase angles are done individually.
- d) Record the EUT operating situation during compliance test and decide the EUT immunity criterion for above each test.

6.8.2 Test Setup



6.8.3 Test Result

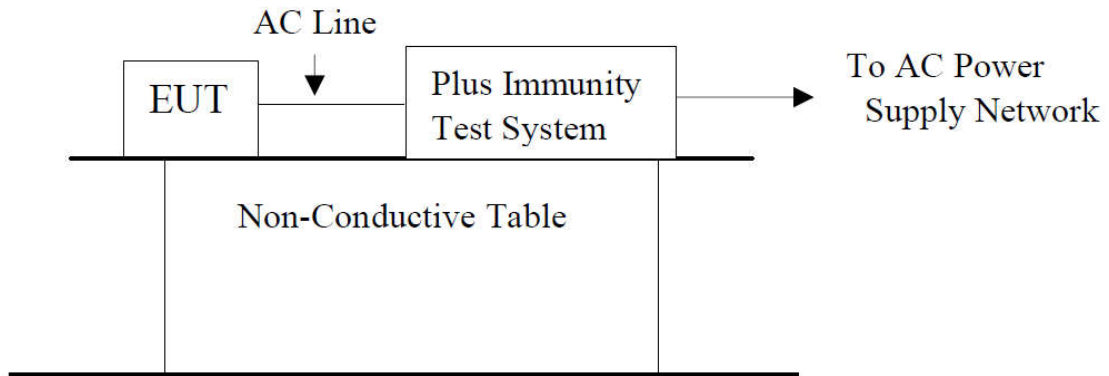
N/A

6.9 Voltage dips and interruptions

6.9.1 Test procedures

- a) The interruptions are introduced at selected phase angles with specified duration.
- b) Record any degradation of performance

6.9.2 Test setup



6.9.3 Test result

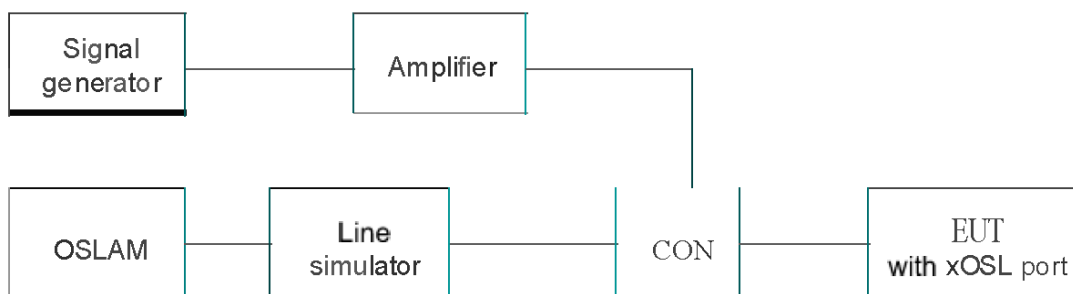
N/A

6.10 Broadband Impulse noise disturbances repetitive

6.10.1 Test procedures

- a) The EUT are placed on an insulating support 0.1m high above a ground reference plane. CDN (coupling and decoupling device) is placed on the ground plane about 0.3m from EUT. Cables between CDN and EUT are as short as possible, and their height above the ground reference plane shall be between 30 and 50 mm (where possible).
- b) The disturbance signal described below is injected to EUT through CDN.
- c) The EUT operates within its operational mode(s) under intended climatic conditions after power on.
- d) The xOSL technology or 30 MHz, whichever is the lowest using 3V signal level, and with the disturbance signal 80% amplitude modulated with a 128 kHz sine wave.
- e) The rate of sweep shall not exceed $1.5 \cdot 10^{-3}$ decades/s. Where the frequency is swept incrementally; the step size shall not exceed 1% of the start and thereafter 1% of the preceding frequency value.
- f) Recording the EUT operating situation during compliance testing and decide the EUT immunity criterion.

6.10.2 Test setup



6.10.3 Test result

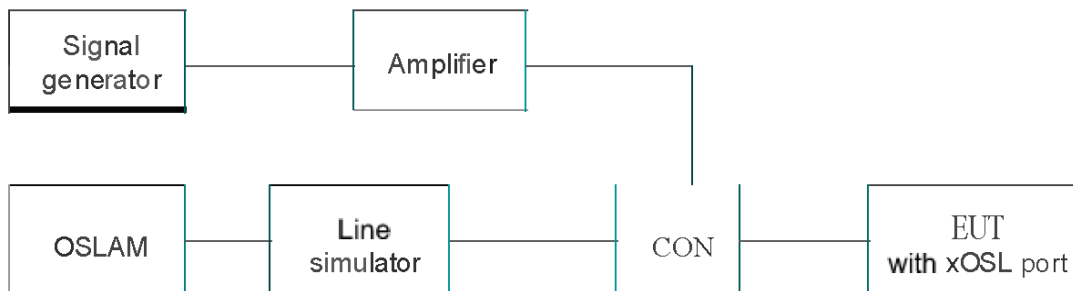
N/A

6.11 Broadband Impulse noise disturbances isolated

6.11.1 Test procedures

- a) The EUT are placed on an insulating support 0.1m high above a ground reference plane. CDN (coupling and decoupling device) is placed on the ground plane about 0.3m from EUT. Cables between CDN and EUT are as short as possible, and their height above the ground reference plane shall be between 30 and 50 mm (where possible).
- b) The disturbance signal described below is injected to EUT through CDN.
- c) The EUT operates within its operational mode(s) under intended climatic conditions after power on.
- d) The xOSL technology or 30 MHz, whichever is the lowest using 3V signal level, and with the disturbance signal 80% amplitude modulated with a 128 kHz sine wave.
- e) The rate of sweep shall not exceed $1.5 \cdot 10^{-3}$ decades/s. Where the frequency is swept incrementally; the step size shall not exceed 1% of the start and thereafter 1% of the preceding frequency value.
- f) Recording the EUT operating situation during compliance testing and decide the EUT immunity criterion.

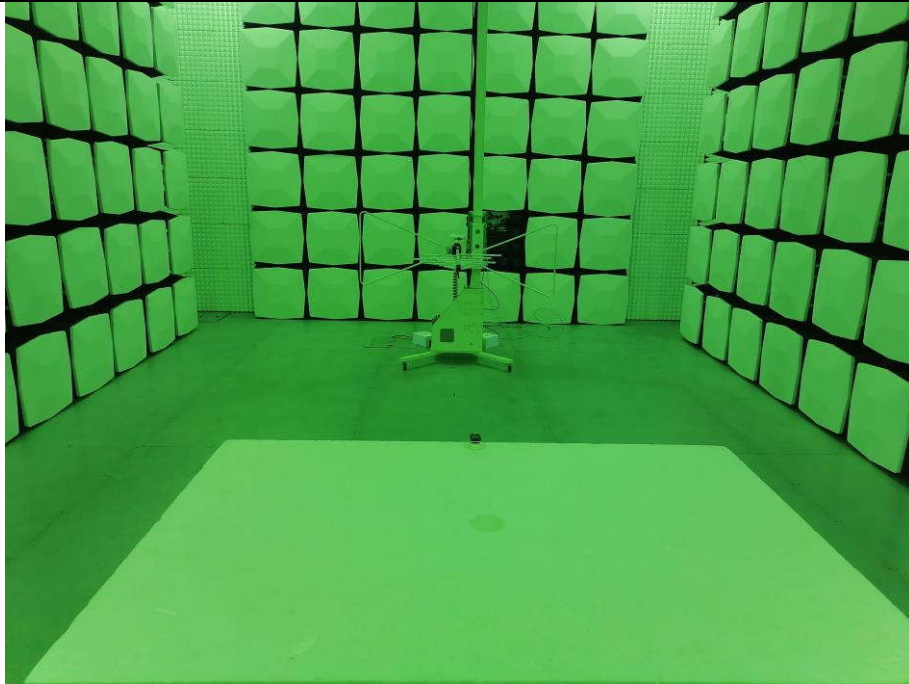
6.11.2 Test setup



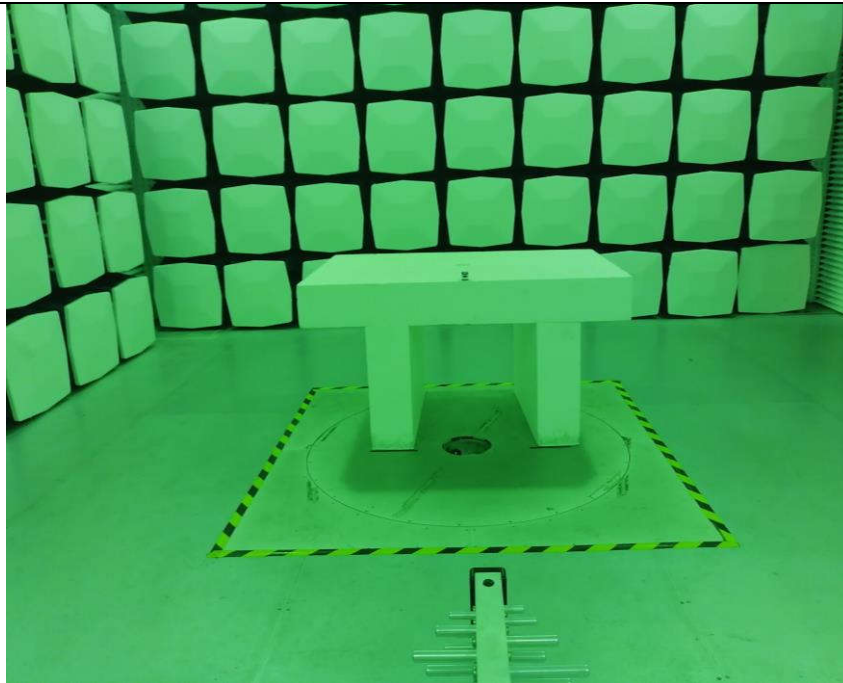
6.11.3 Test result

N/A

Photographs of the Test setup



Radiated test



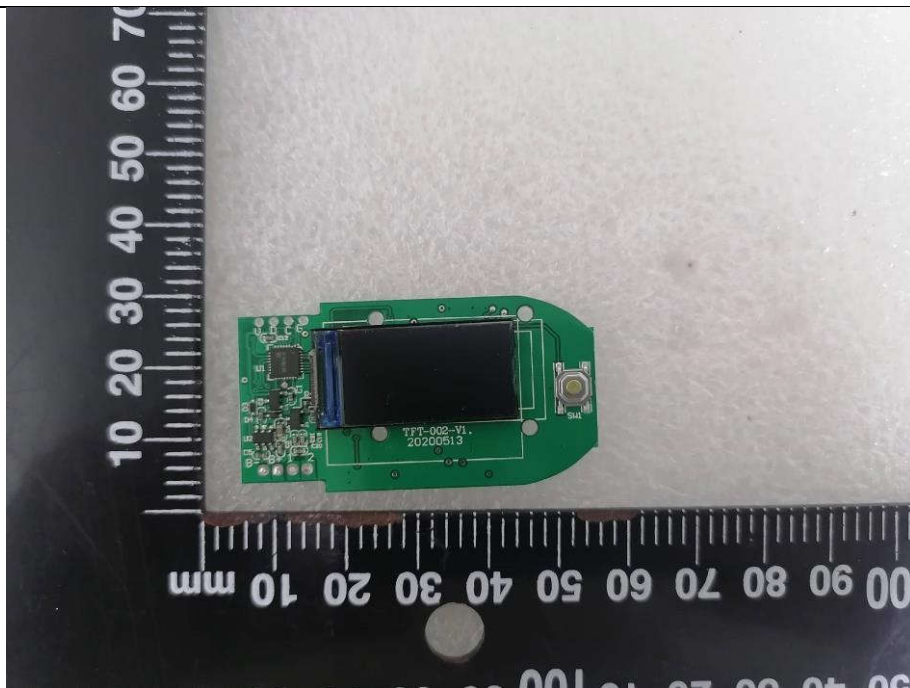
RS test

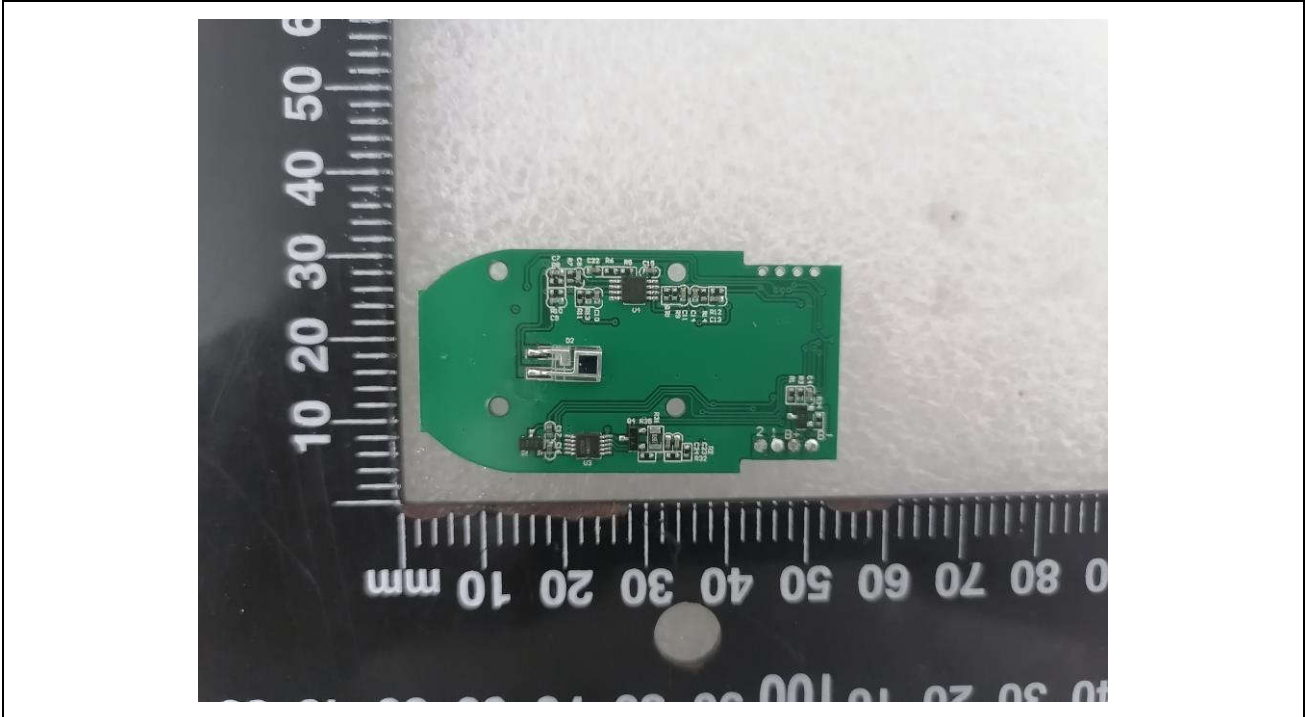


ESD test

Photographs of the EUT







----END OF REPORT----